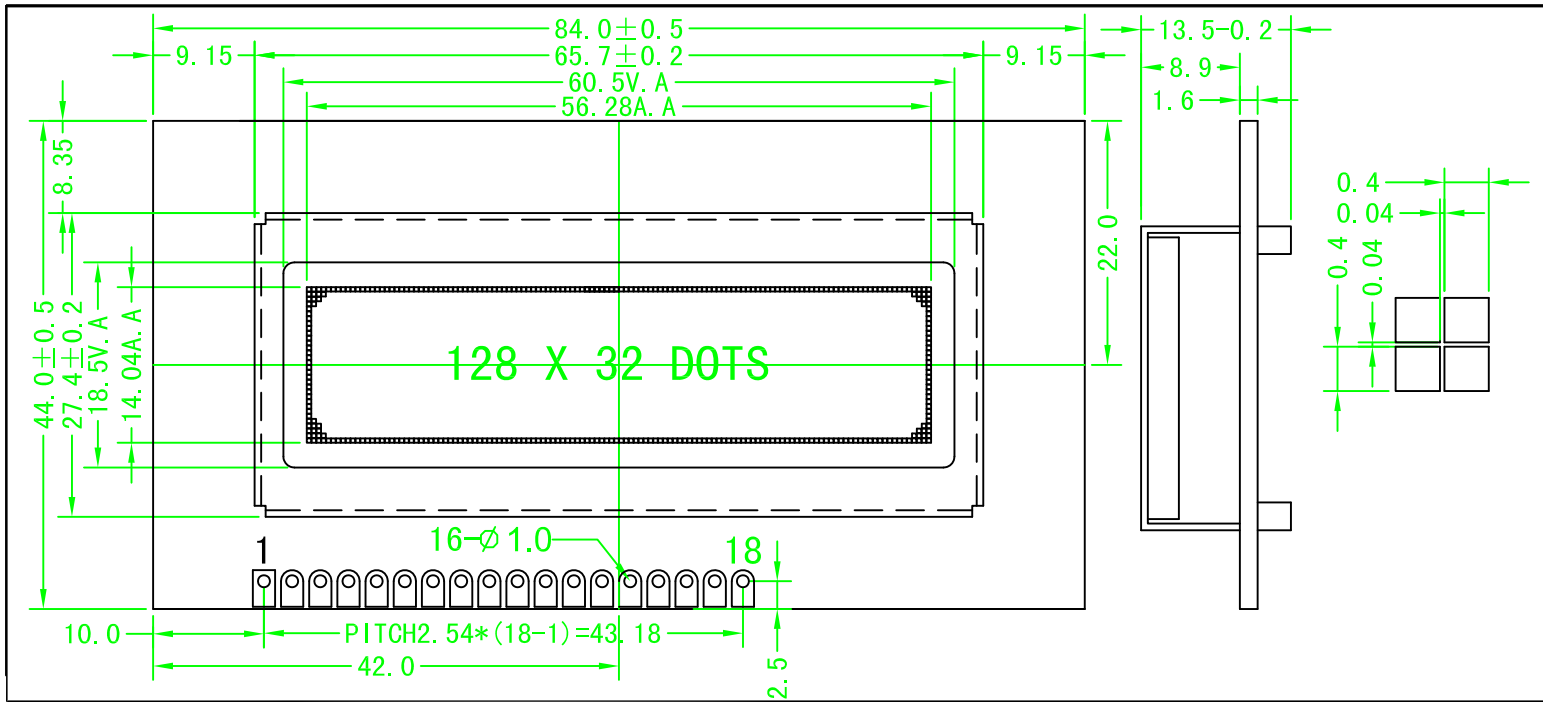
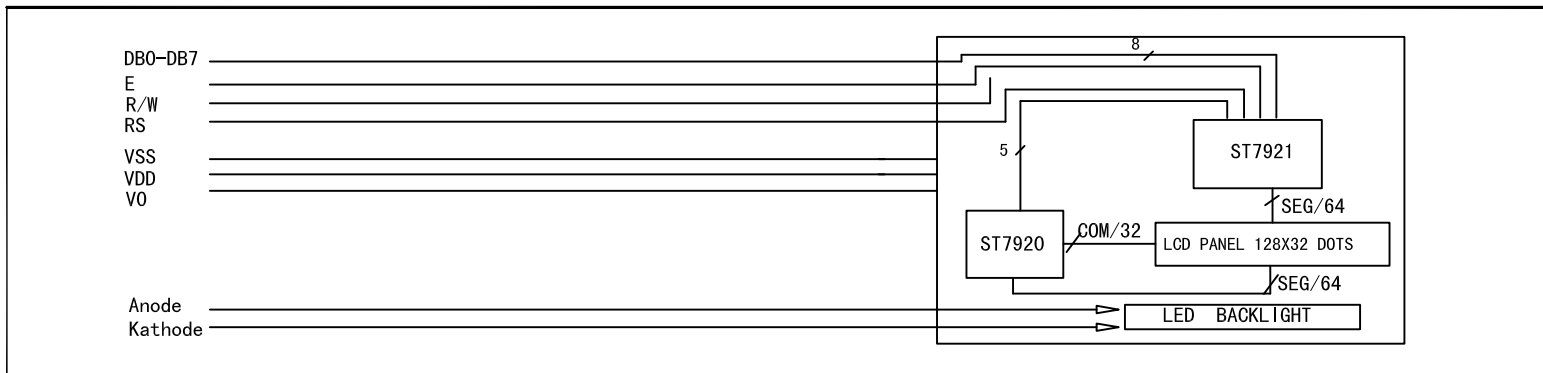


1.0 DIMENSIONAL DRAWING



2.0 BLOCK DIAGRAM & POWER SUPPLY



3.0 MECHANICAL SPECIFICATIONS & FEATURE

Item	Nominal Dimensions (mm)	Feature	
		LCD Type	STN
Module Size (W*H*T)	84.0 × 44.0 × 13.5	LCD Type	Yellow-green
View Area (W*H)	60.5 × 18.5	LCD Coloure	6 0'clock
Dot × Dot (W*H)	128 × 32	View Angle	Positive Type
Dot Pitch (W*H)	0.44 × 0.44	Display Type	Transflective
Dot Size (W*H)	0.40 × 0.40	Rear Polarizer	Operating Temperature
---	---	Operating Temperature	0° C to +50° C
---	---	Storage Temperature	-10° C to +60° C
---	---	Backlight	LED (Yellow-green)

4.0 ELECTRICAL CHARACTERISTICS

Item	Symbol	Test Condition	Min.	Typ.	Min.	Unit
Operating Voltage	Vdd	Ta=25° C	---	5.0	---	V
Operating Voltage For LCD	Vlcd	Ta=25° C	---	5.0	---	V
Supply Current	Idd	Ta=25° C, Vdd=3.0V	---	15	---	μA
Supply Current For Backlight	If	Ta=25° C, VAK=3.0V	---	100	---	mA

5.0 INTERFACE PIN CONNECTIONS

Pin No.	Symbol	Level	Description
1	VSS	0V	LCM Power Supply Negative Input Terminal
2	VDD	5.0V	LCM Power Supply Positive Input Terminal
3	NC		Not Connected
4	RS (CS)	H/L (H)	LCM Comand/data (Selection Signal) Input Terminal
5	R/W (SID)	H/L	LCM Read/Write Signal (Serial Data) Input Terminal
6	E (SCLK)	H, L, F (H/L)	LCM Enable Signal (Serial CLK) Input Terminal
7-14	DB0-DB7	TRI-STATE	LCM 8-bits Data Input Terminal
15	PSB	H/L	LCM Parellel/serial Selection Terminal
16	/RES	L, H	LCM Reset Signal Input Terminal
17	K	0V	LED Backlight Power Supply Negative Input Terminal
18	A	5.0V	LED Backlight Power Supply Positive Input Terminal

NOTE: NO